

## **CAST IRON GEAR PUMPS FOR TRANSFERRING FUELS AND LUBE OIL**

From free flow to 200 PSI, our rotary gear pumps are the perfect answer for recirculating, pressure boosting, filtering spraying or for the general transfer of lube, fuel, diesel and other oils in medium to high-pressure applications.

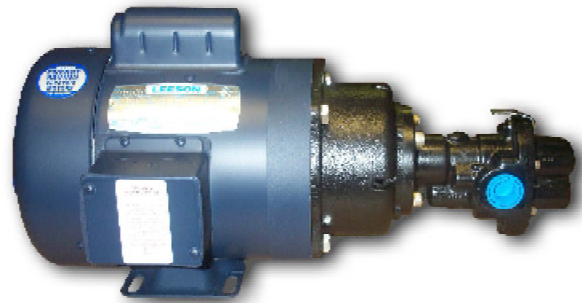
Each pump is direct coupled to standard NEMA "C" face, totally enclosed fan cooled electric motors or, for hazardous locations, UL Listed Class-I Group D explosion proof electric motors. With a heavy-duty ductile iron body and long wearing, self adjusting viton mechanical seals, these pumps are self priming and operate over a wide range of viscosities, pressures and temperatures.

Each pump come equipped with oversized oil-less grammix iron bearings for increased durability and longevity in industrial applications.

Our involuted "gear within a gear" design reduces gear wear while providing a pump with minimal noise and excellent suction characteristics.

**Features Include:**

- Heavy duty ductile iron body, gears & rotor
- Stainless steel shaft
- Self-adjusting Viton Seal standard
- Grammix iron bearings
- Standard TEFC or optional explosion proof motors
- Optional internal relief bypass available



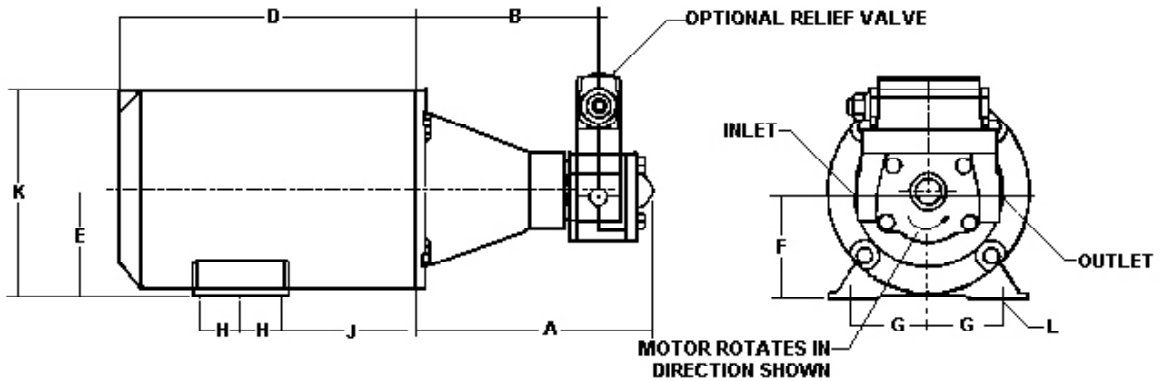
### **Flow Rate & Horsepower - 1725 Motor RPM**

Pump Series	Port Size	10 PSI		50 PSI		100 PSI		150 PSI		200 PSI	
		GPM	HP	GPM	HP	GPM	HP	GPM	HP	GPM	HP
GP-1	3/4" NPT	1.8	1/3	1.4	1/3	1.2	1/3	1.1	1/2	.9	3/4
GP-3	3/4" NPT	3.4	1/3	3.0	1/3	2.8	1/2	2.4	3/4	2.1	3/4
GP-5	3/4" NPT	4.6	1/3	4.2	1/3	3.6	1/2	3.2	3/4	2.8	1
GP-6	3/4" NPT	6.4	1/3	6.2	1/2	5.7	3/4	5.3	1	5.0	1 1/2
GP-8	3/4" NPT	8.1	1/2	7.5	3/4	7.0	1	6.4	1 1/2	5.5	2
GP-10	1" NPT	12.5	3/4	11.0	1	10.0	1 1/2	9.5	2	9.0	3
GP-15	1 1/4" NPT	16.0	3/4	14.5	1	13.7	1 1/2	13.0	2	12.3	3
GP-20	1 1/4" NPT	19.6	1	18.2	1 1/2	17.6	2	16.4	3	15.8	3
GP-24	1 1/2" NPT	21.5	1	19.8	1 1/2	18.7	2	18.0	3	17.0	5
GP-30	1 1/2" NPT	30.5	1 1/2	29.5	2	28.5	3	27.5	5	27.0	5
GP-40	1 1/2" NPT	40.5	2	38.8	3	37.8	5	37.0	5	36.3	7 1/2
GP-44	2" FLG	47.0	3	44.5	3	42.5	5	41.0	7 1/2	39.0	10
GP-54	2" FLG	54.3	3	51.0	3	49.0	5	48.0	7 1/2	47.0	10
GP-60	2" FLG	61.0	3	59.0	5	58.0	7 1/2	57.0	10	55.5	15
GP-70	2" FLG	72.0	3	69.0	5	66.0	7 1/2	64.0	10	62.0	15
GP-80	2" FLG	82.0	5	79.0	7 1/2	77.0	10	74.0	15	71.0	15

Note: Flow rates are based on 50 SSU fluids. For higher viscosities please consult factory for flow rates, motor RPMs & horsepower

# PHILLIPS PUMP

**Positive Displacement  
Gear Pumps, 1 to 80 GPM**



Pump Series	Motor HP	Motor Frame	Dimension (Inches)									
			A	B	D	E	F	G	H	J	K	L
GP-1	All	56C	7.8	5.9	11.3	3.5	3.1	2.4	1.5	2.6	6.8	11/32
GP-3	All	56C	7.8	5.9	11.3	3.5	3.1	2.4	1.5	2.6	6.8	11/32
GP-5	All	56C	8.0	5.9	11.3	3.5	3.1	2.4	1.5	2.6	6.8	11/32
GP-6	1/3 - 1 1/2	56C	8.3	6.0	11.3	3.5	3.1	2.4	1.5	2.6	6.8	11/32
	2	145T	8.3	6.0	11.9	3.5	3.1	2.8	2.5	2.8	6.8	11/32
GP-8	1/3 - 1 1/2	56C	8.4	6.0	11.3	3.5	3.1	2.4	1.5	2.6	6.8	11/32
	2	145T	8.4	6.0	11.9	3.5	3.1	2.8	2.5	2.8	6.8	11/32
GP-10	3/4 - 1 1/2	56C	12.3	8.1	11.3	3.5	3.5	2.4	1.5	2.6	6.8	11/32
	2	145T	12.3	8.0	11.9	3.5	3.5	2.8	2.5	2.8	6.8	11/32
	3	184T	12.3	8.0	13.3	4.5	4.5	3.8	2.8	3.5	8.8	13/32
GP-15	3/4 - 1 1/2	56C	12.3	8.0	11.3	3.5	3.5	2.4	1.5	2.6	6.8	11/32
	2	145T	12.3	8.0	11.9	3.5	3.5	2.8	2.5	2.8	6.8	11/32
	3	184T	12.3	8.0	13.3	4.5	4.5	3.8	2.8	3.5	8.8	13/32
GP-20	1 - 1 1/2	56C	12.3	8.0	11.3	3.5	3.5	2.4	1.5	2.6	6.8	11/32
	2	145T	12.3	8.0	11.9	3.5	3.5	2.8	2.5	2.8	6.8	11/32
	3	184T	12.3	8.0	13.3	4.5	4.5	3.8	2.8	3.5	8.8	13/32
GP-24	1 - 1 1/2	56C	12.4	8.0	11.3	3.5	3.5	2.4	1.5	2.6	6.8	11/32
	2	145T	12.4	8.0	11.9	3.5	3.5	2.8	2.5	2.8	6.8	11/32
	3 & 5	184T	12.4	8.0	13.3	4.5	4.5	3.8	2.8	3.5	8.8	13/32
GP-30	1 1/2	56C	12.4	8.0	11.3	3.5	3.5	2.4	1.5	2.6	6.8	11/32
	2	145T	12.4	8.0	11.9	3.5	3.5	2.8	2.5	2.8	6.8	11/32
	3 & 5	184T	12.4	8.0	13.3	4.5	4.5	3.8	2.8	3.5	8.8	13/32
GP-40	2	145T	12.4	8.0	11.9	3.5	3.5	2.8	2.5	2.8	6.8	11/32
	3 & 5	184T	12.4	8.0	13.3	4.5	4.5	3.8	2.8	3.5	8.8	13/32
	7 1/2	213T	12.4	8.0	15.6	5.3	5.3	4.3	2.8	4.3	10.6	13/32
GP-44	3 & 5	184T	20.5	13.4	13.3	4.5	4.1	3.8	2.8	3.5	8.8	13/32
	7 1/2 & 10	213T	20.5	13.4	15.6	5.3	4.9	4.3	2.8	4.3	10.6	13/32
GP-54	3 & 5	184T	20.5	13.4	13.3	4.5	4.1	3.8	2.8	3.5	8.8	13/32
	7 1/2 & 10	213T	20.5	13.4	15.6	5.3	4.9	4.3	2.8	4.3	10.6	13/32
GP-60	3 & 5	184T	20.5	13.4	13.3	4.5	4.1	3.8	2.8	3.5	8.8	13/32
	7 1/2 & 10	213T	20.5	13.4	15.6	5.3	4.9	4.3	2.8	4.3	10.6	13/32
	15	254T	20.5	13.4	20.1	6.3	5.9	5.0	4.3	4.3	13.0	17/32
GP-70	3 & 5	184T	20.5	13.4	13.3	4.5	4.1	3.8	2.8	3.5	8.8	13/32
	7 1/2 & 10	213T	20.5	13.4	15.6	5.3	4.9	4.3	2.8	4.3	10.6	13/32
	15	254T	20.5	13.4	20.1	6.3	5.9	5.0	4.3	4.3	13.0	17/32
GP-80	5	184T	20.5	13.4	13.3	4.5	4.1	3.8	2.8	3.5	8.8	13/32
	7 1/2 & 10	213T	20.5	13.4	15.6	5.3	4.9	4.3	2.8	4.3	10.6	13/32
	15	254T	20.5	13.4	20.1	6.3	5.9	5.0	4.3	4.3	13.0	17/32

Note: Dimensions are for reference only